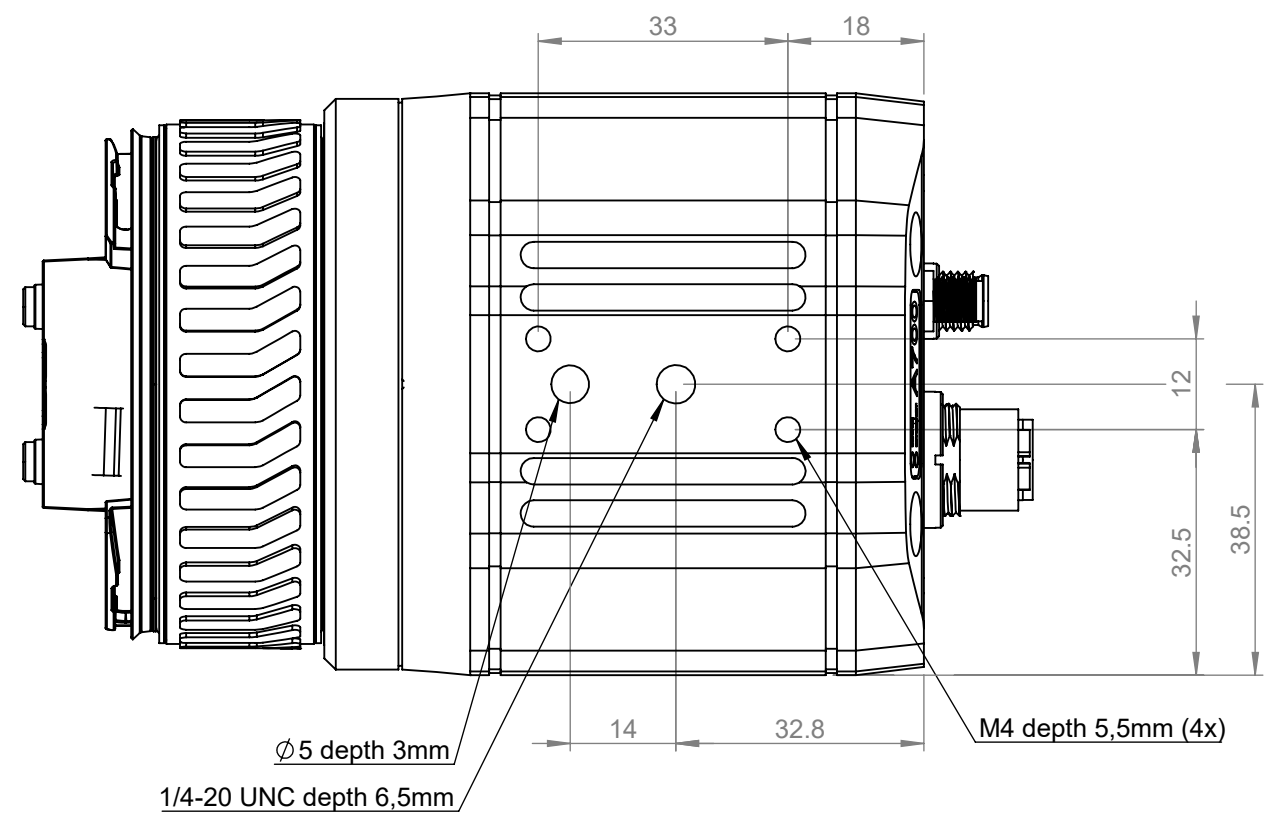
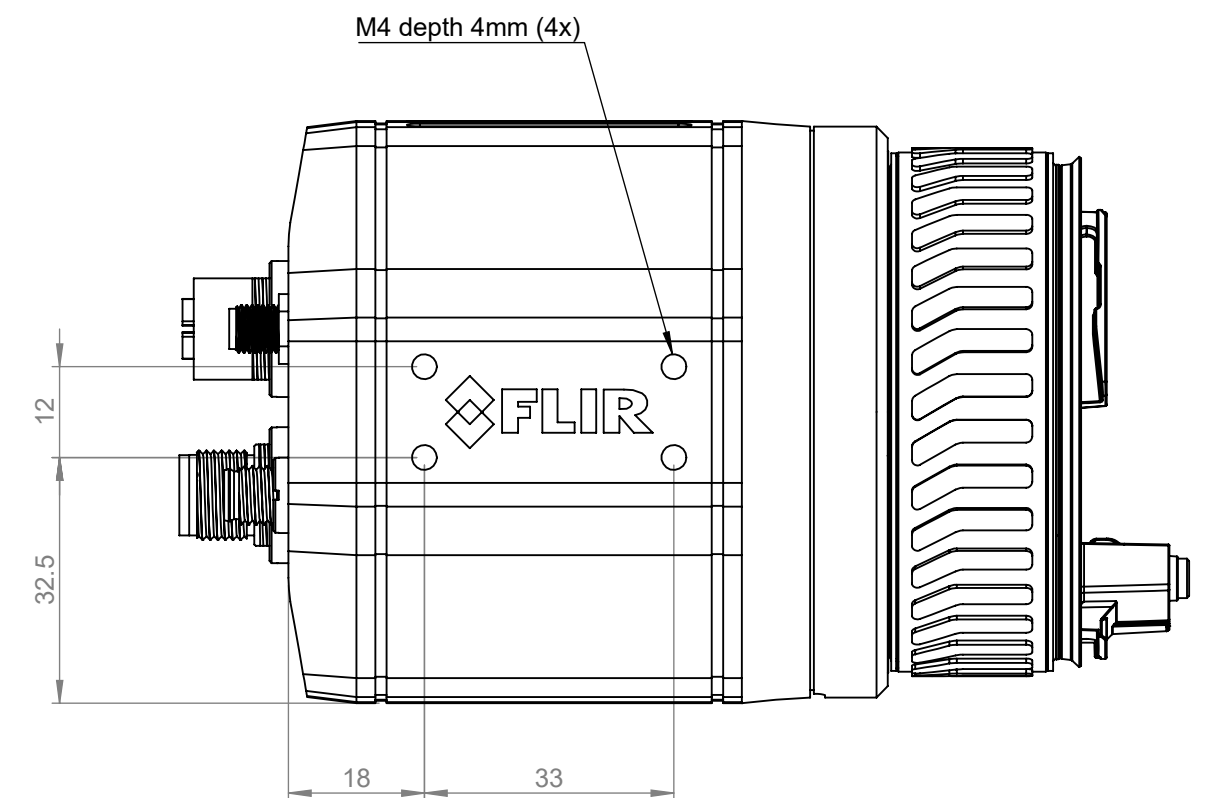
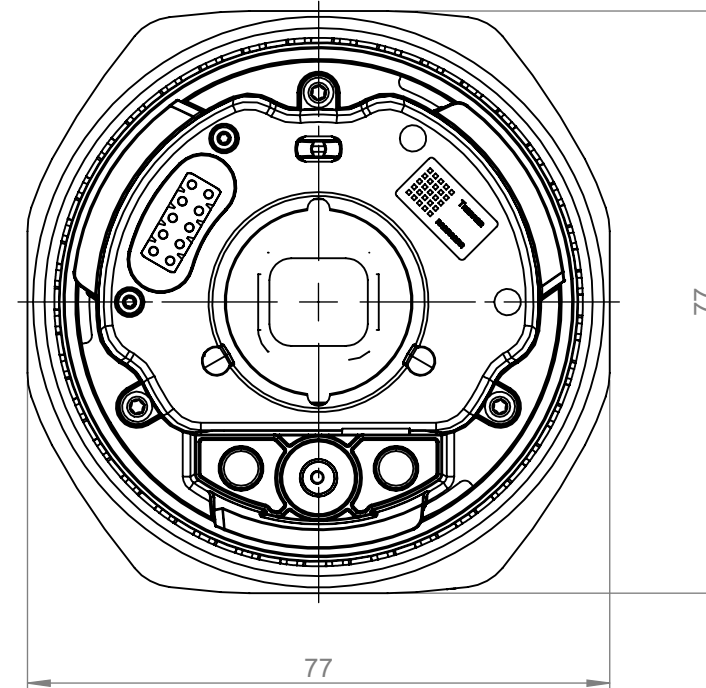
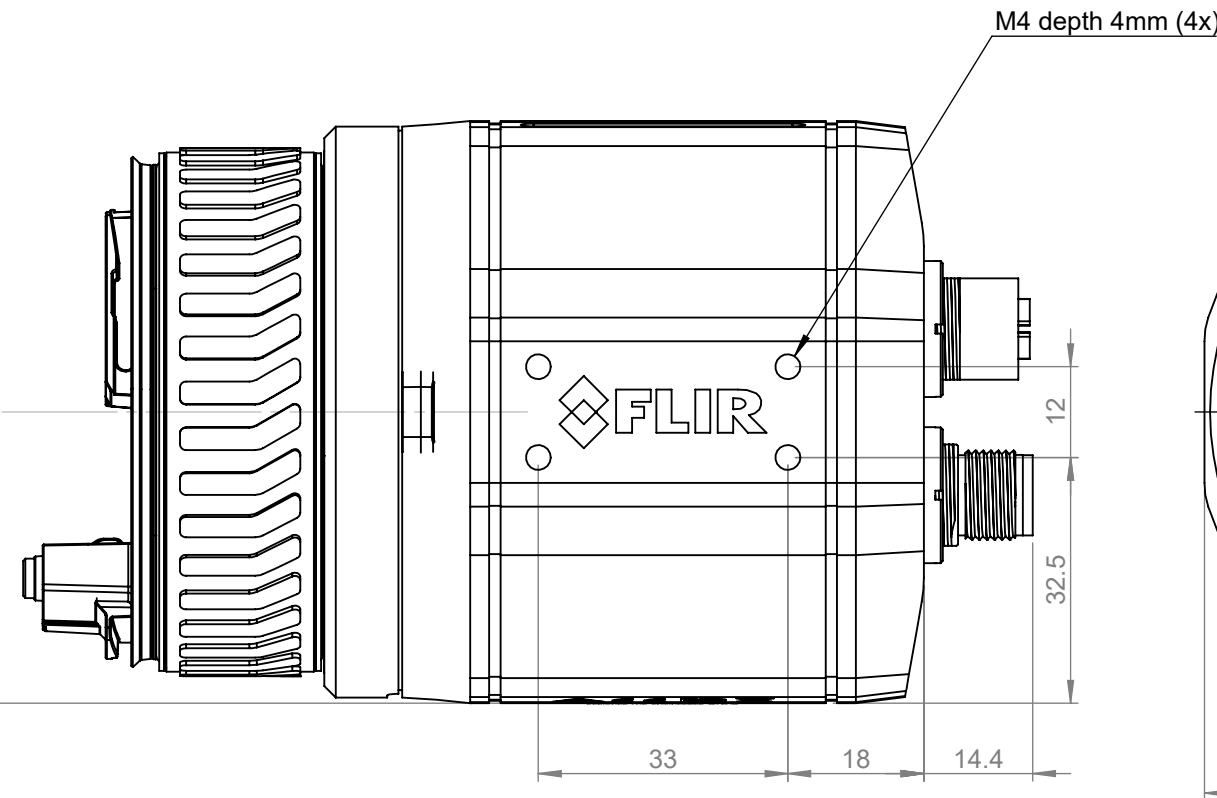
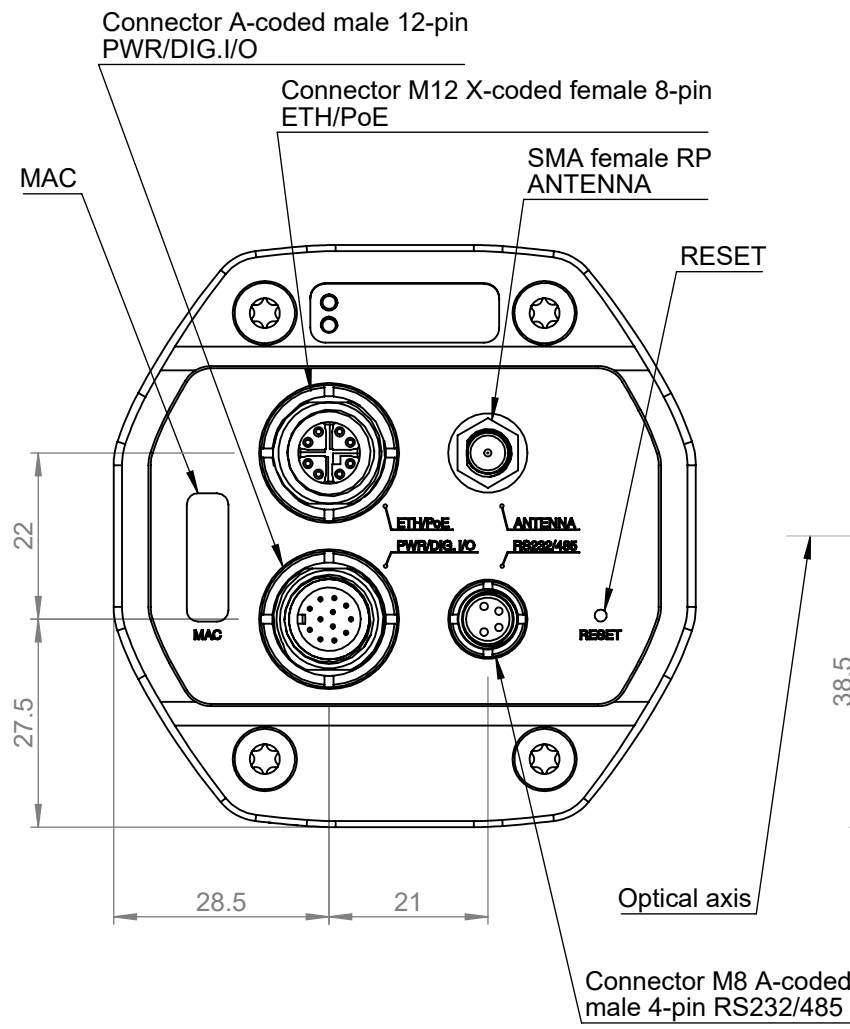
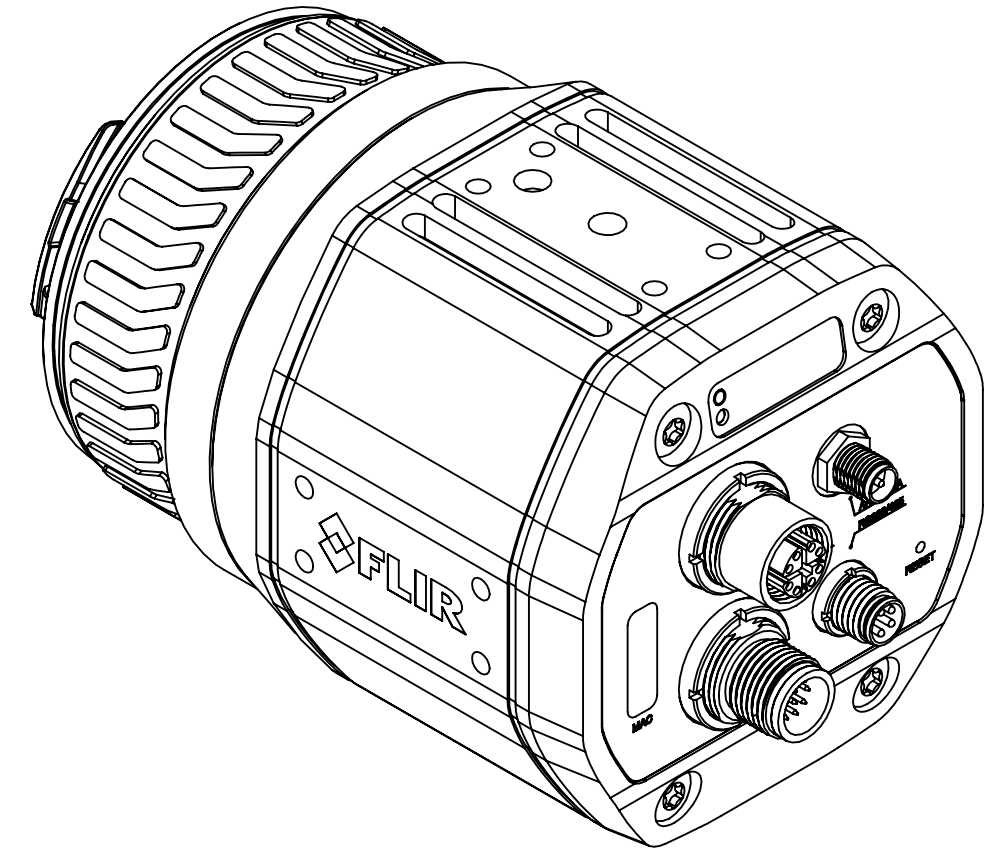
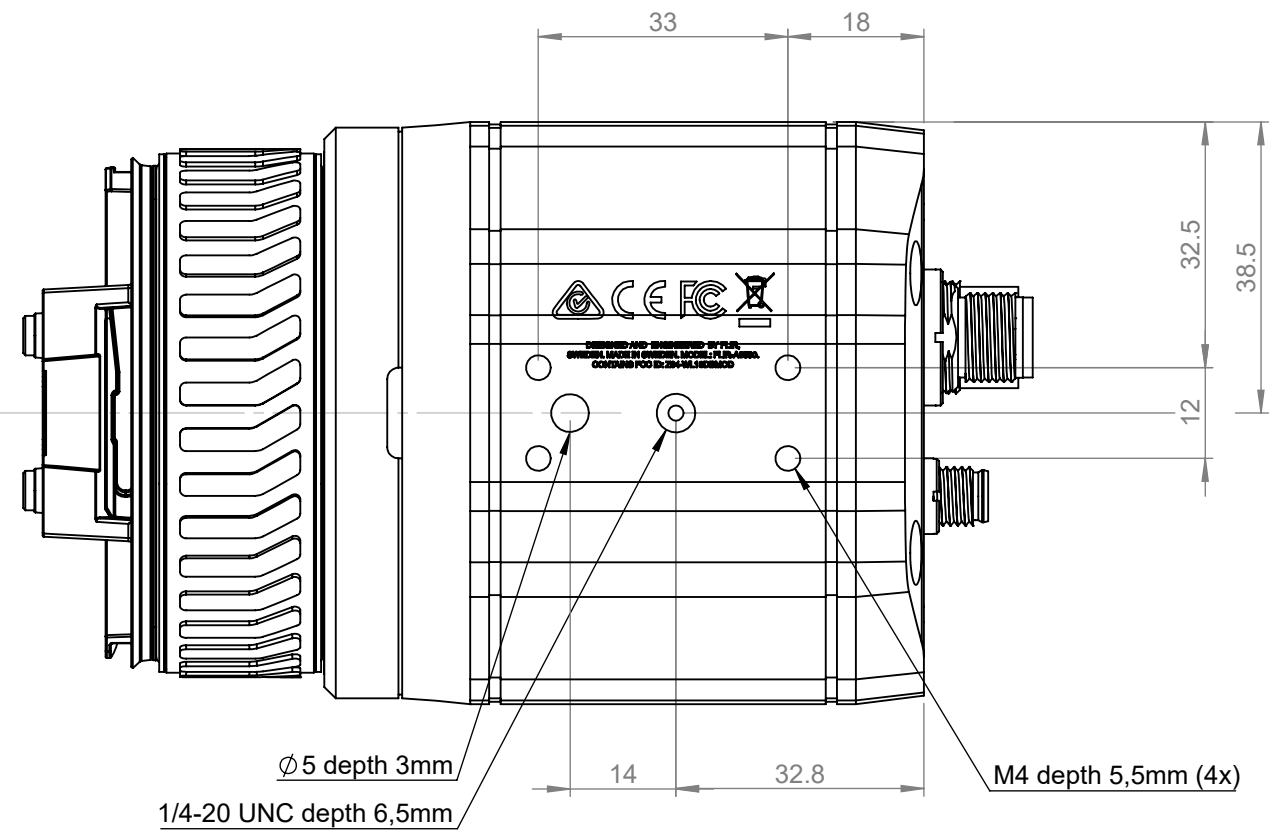


Default

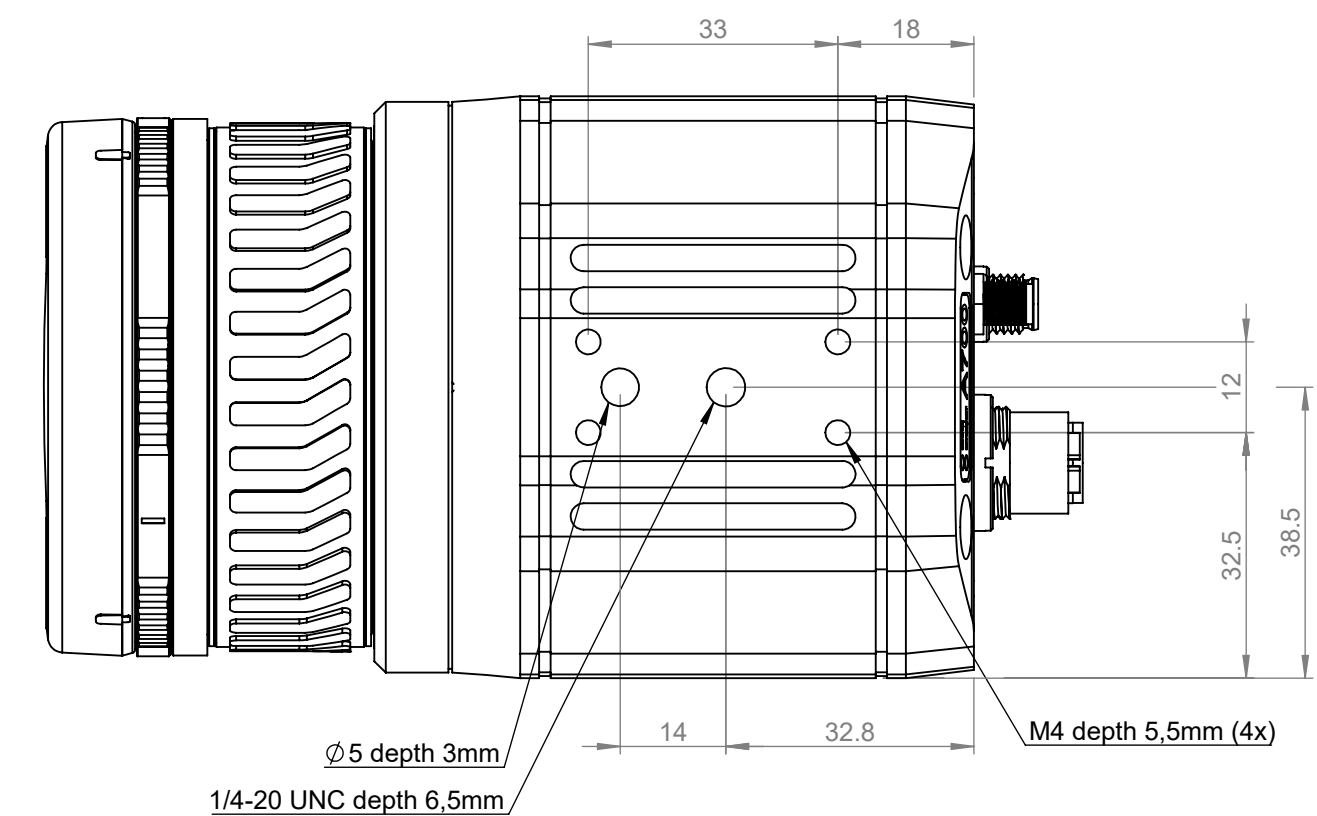
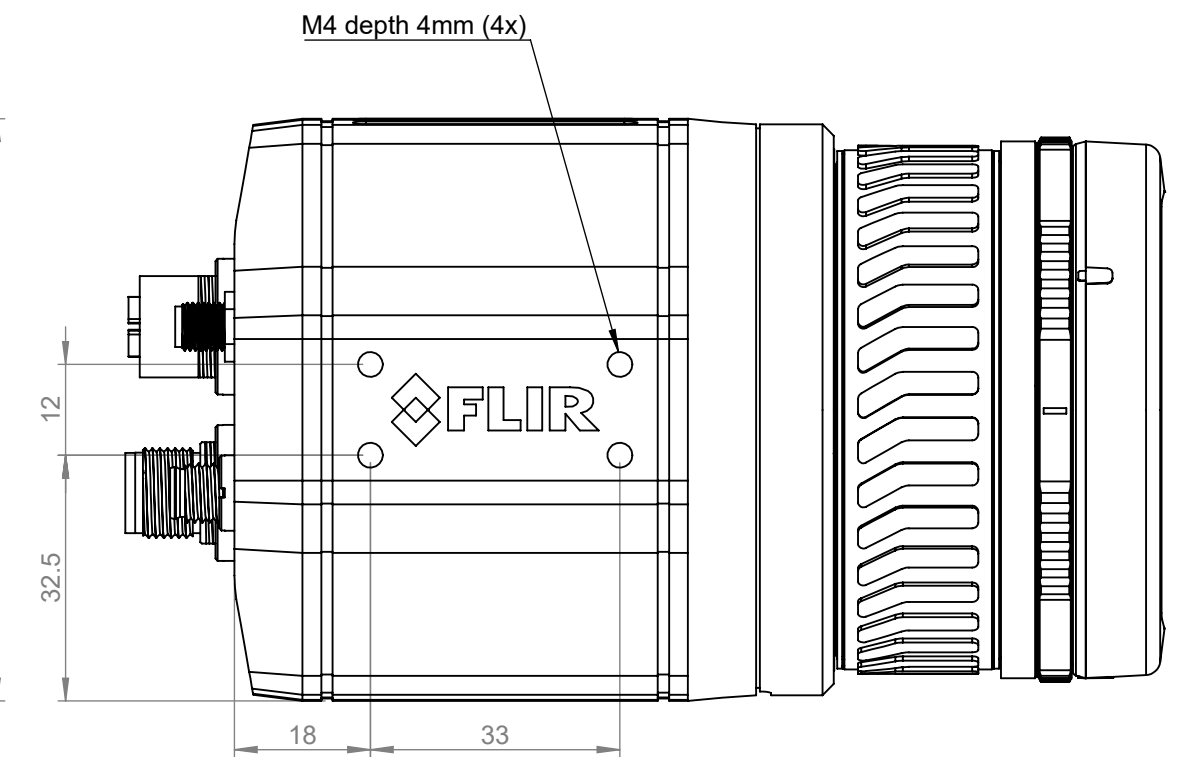
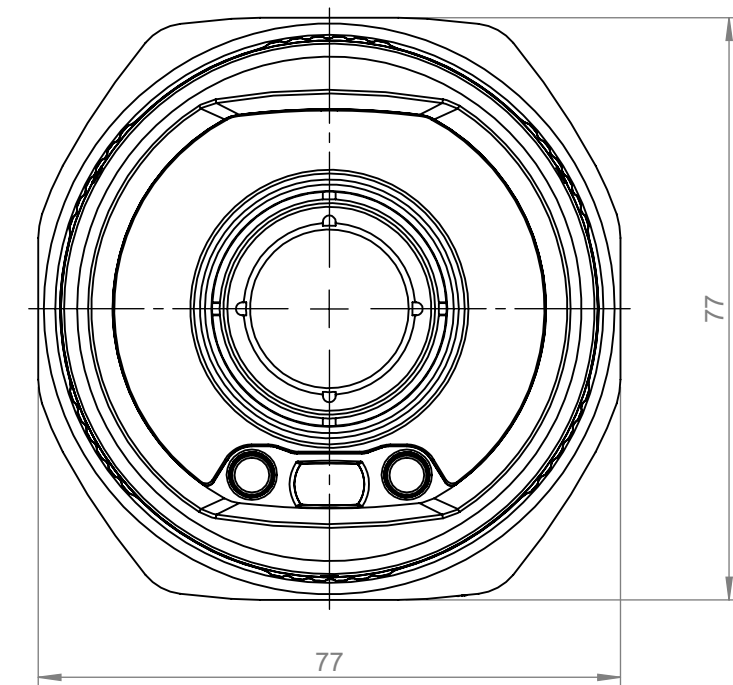
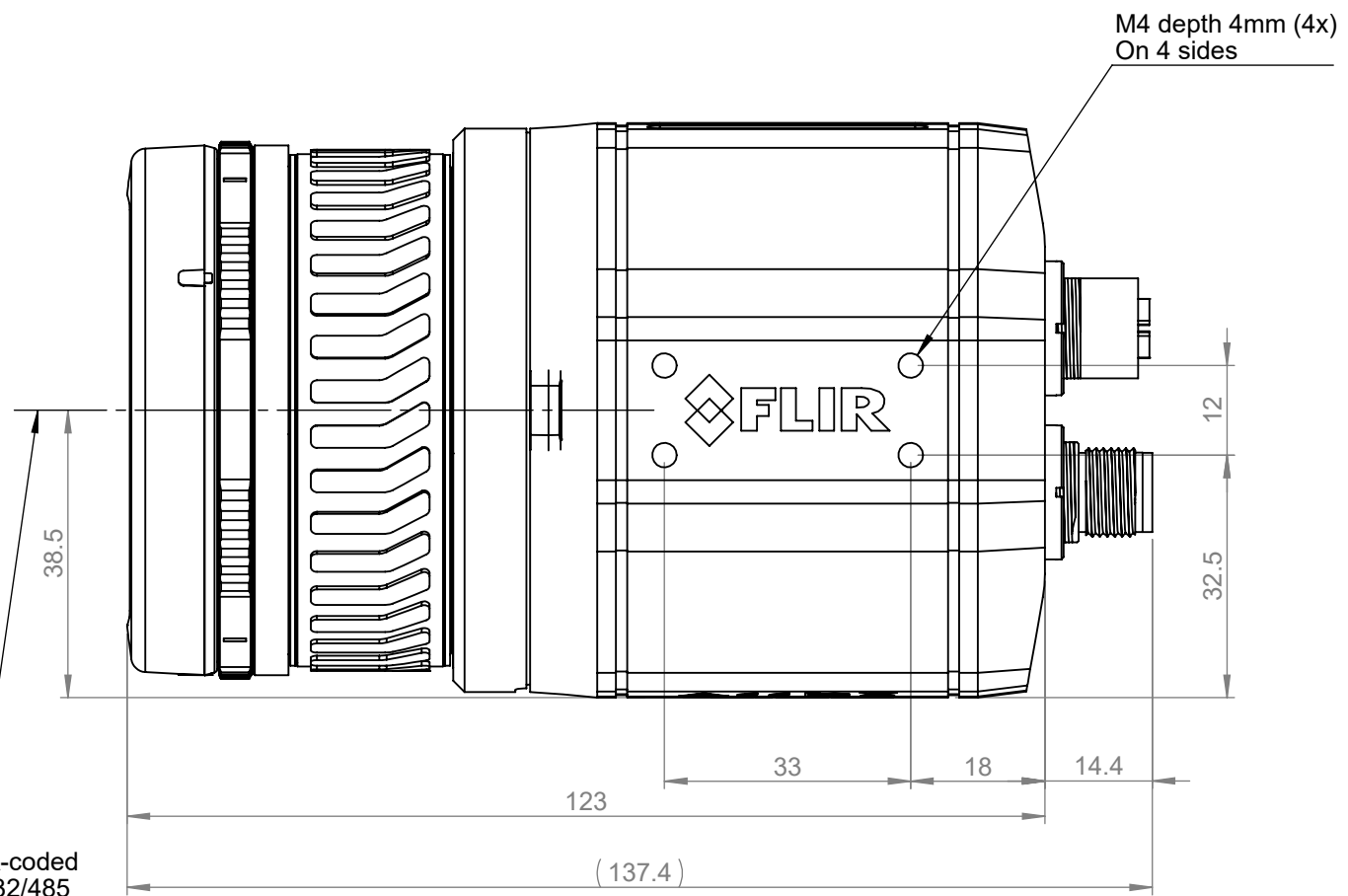
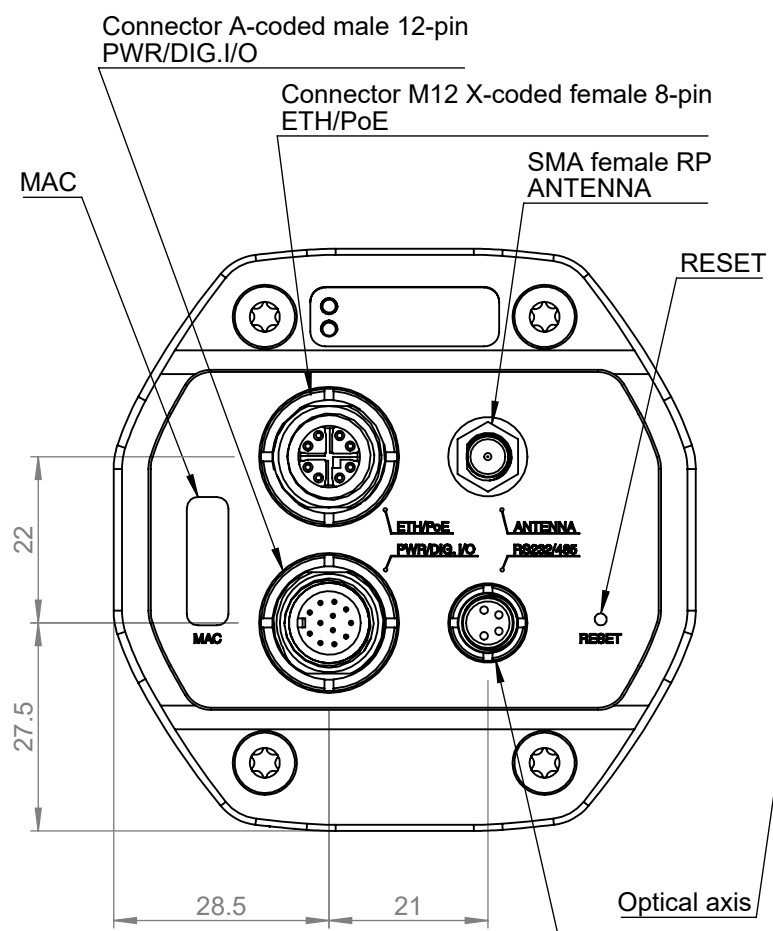
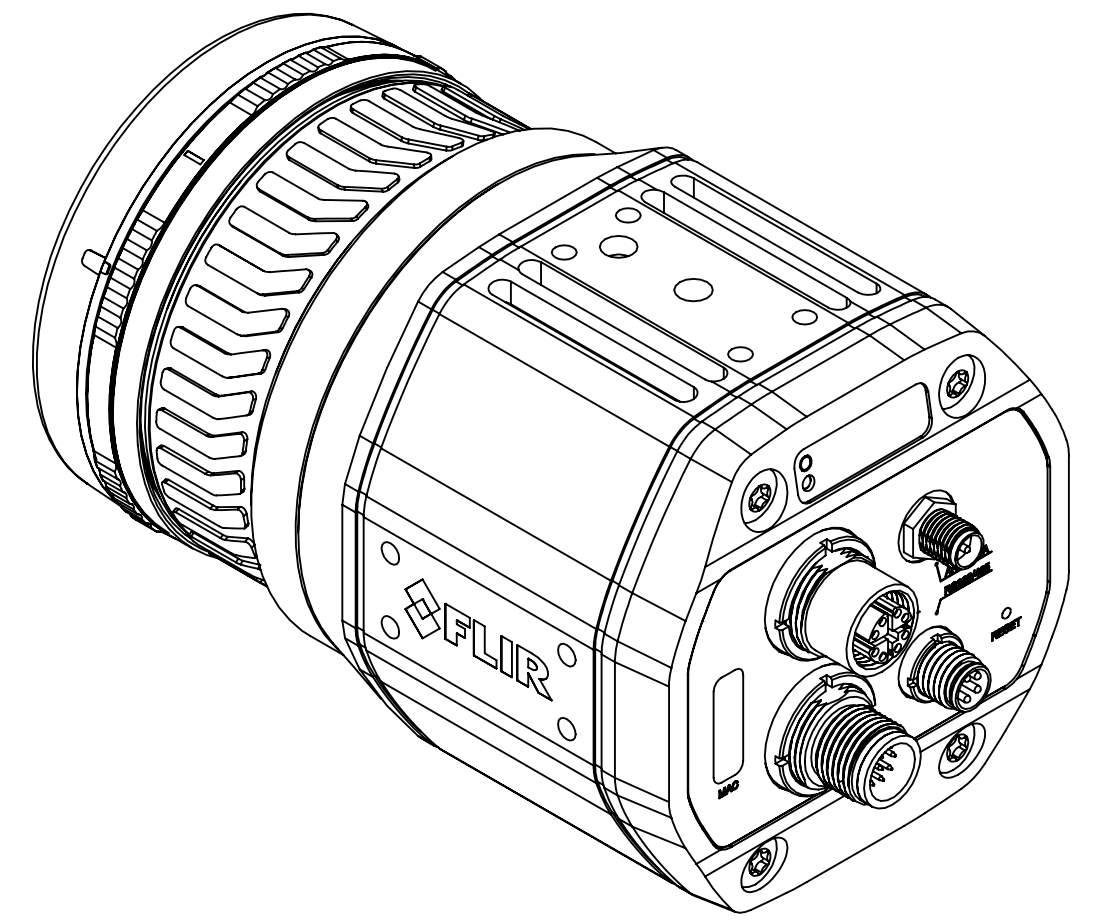
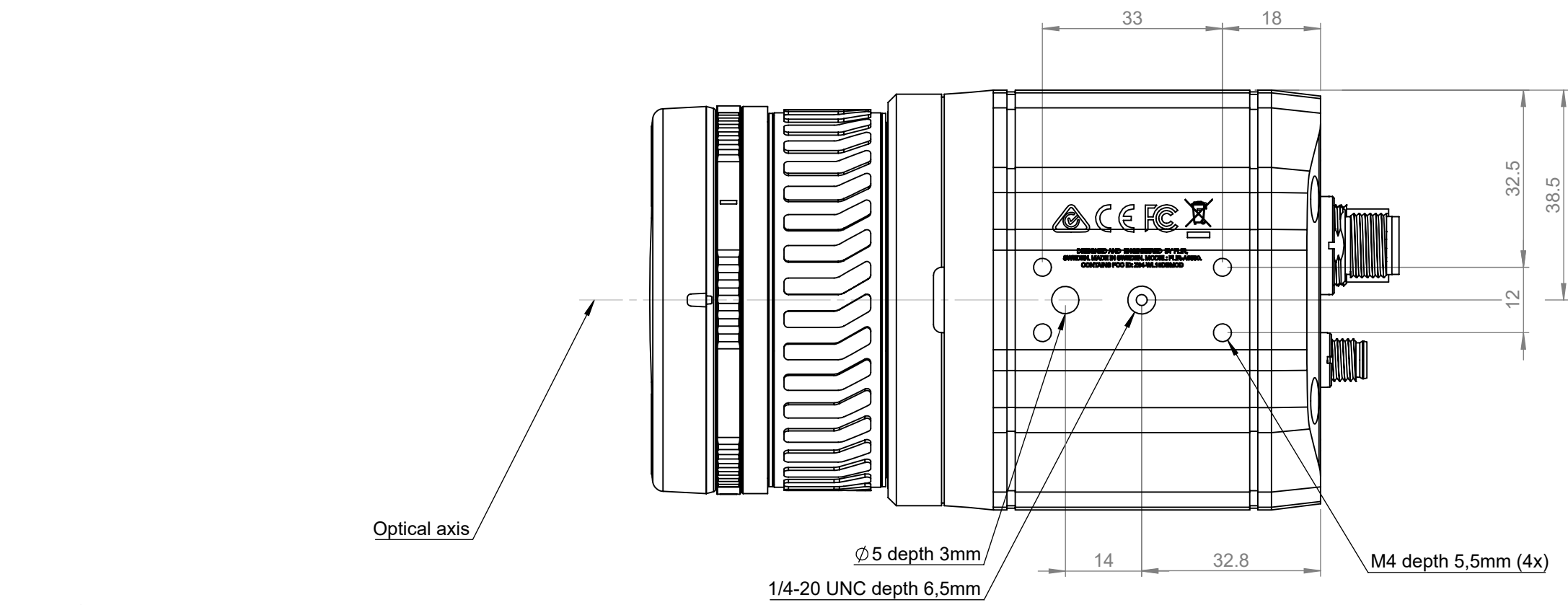


© 2016 FLIR Systems, Inc. All rights reserved worldwide. No part of this drawing may be reproduced, stored in a retrieval system, or transmitted in any form, or by any means, electronic, mechanical, photocopying, recording, or otherwise, without written permission from FLIR Systems, Inc. Specifications are subject to change without notice. Dimensions are based on nominal values. Products may be subject to regional market considerations. License procedures may apply. Product may be subject to US Export Regulations. Please refer to exportquestions@flir.com with any questions. Division contrary to US law is prohibited.

FLIR-Partner: ITEMA GmbH
 Tel. 03461-502510
 06217 Merseburg, Schulstrasse 2
info@itema.de www.itema.de
www.flir-infrarot.de

Modified 2020-01-10	Check -	Drawn by R&D Instruments	
Denomination Basic dimension Axxx/GF7xa			
Size A2	Scale 1:1	Sheet 1(3)	
Drawing No. T130771		Rev A	

Incl. STD Lenses & Macro



Basic dimensions for cameras with focal length:
 f= 10mm
 f= 17mm
 f= 29mm

Macro WD=18mm

FLIR-Partner: ITEM A GmbH
 Tel. 03461-502510
 06217 Merseburg, Schulstrasse 2
info@itema.de www.itema.de
www.flir-infrarot.de

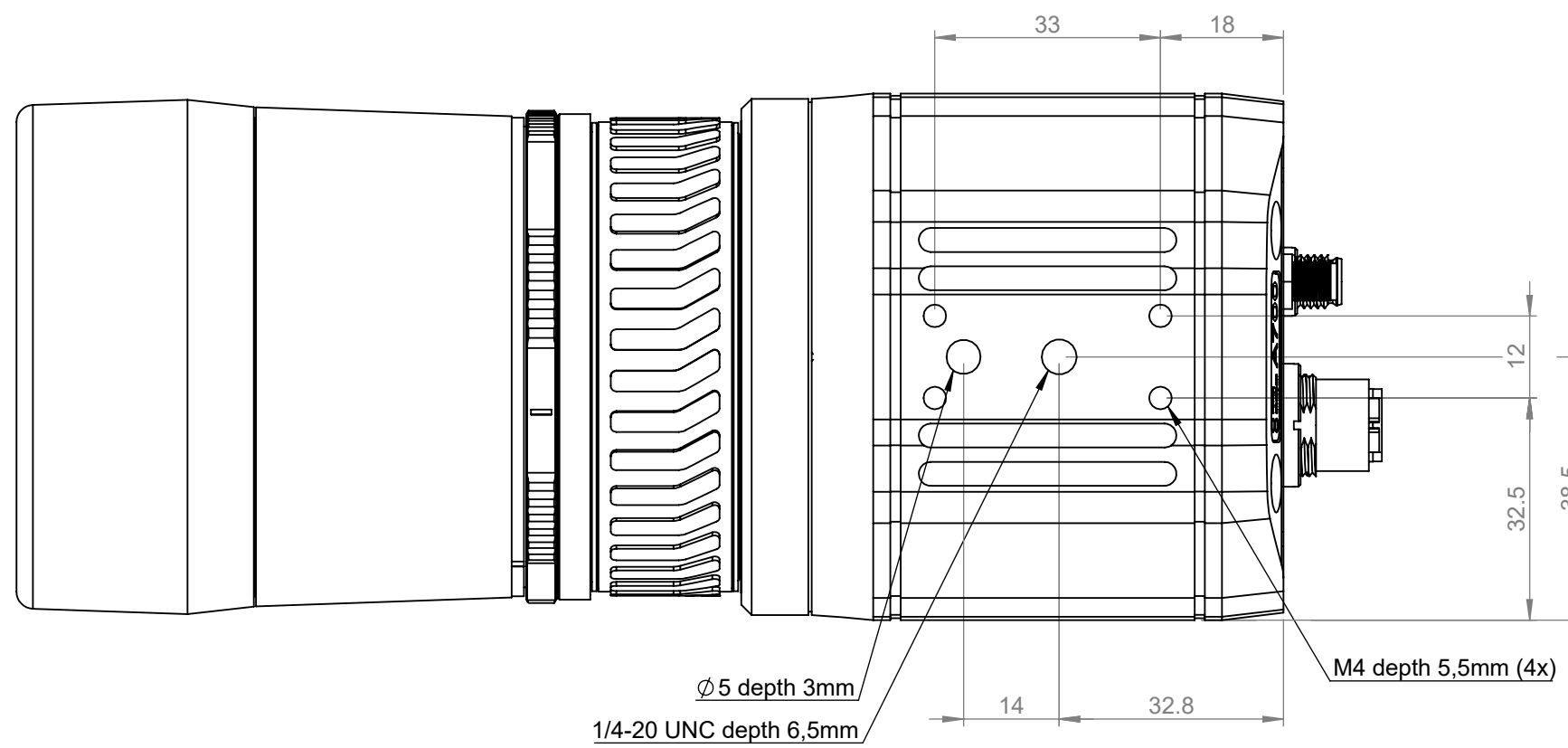
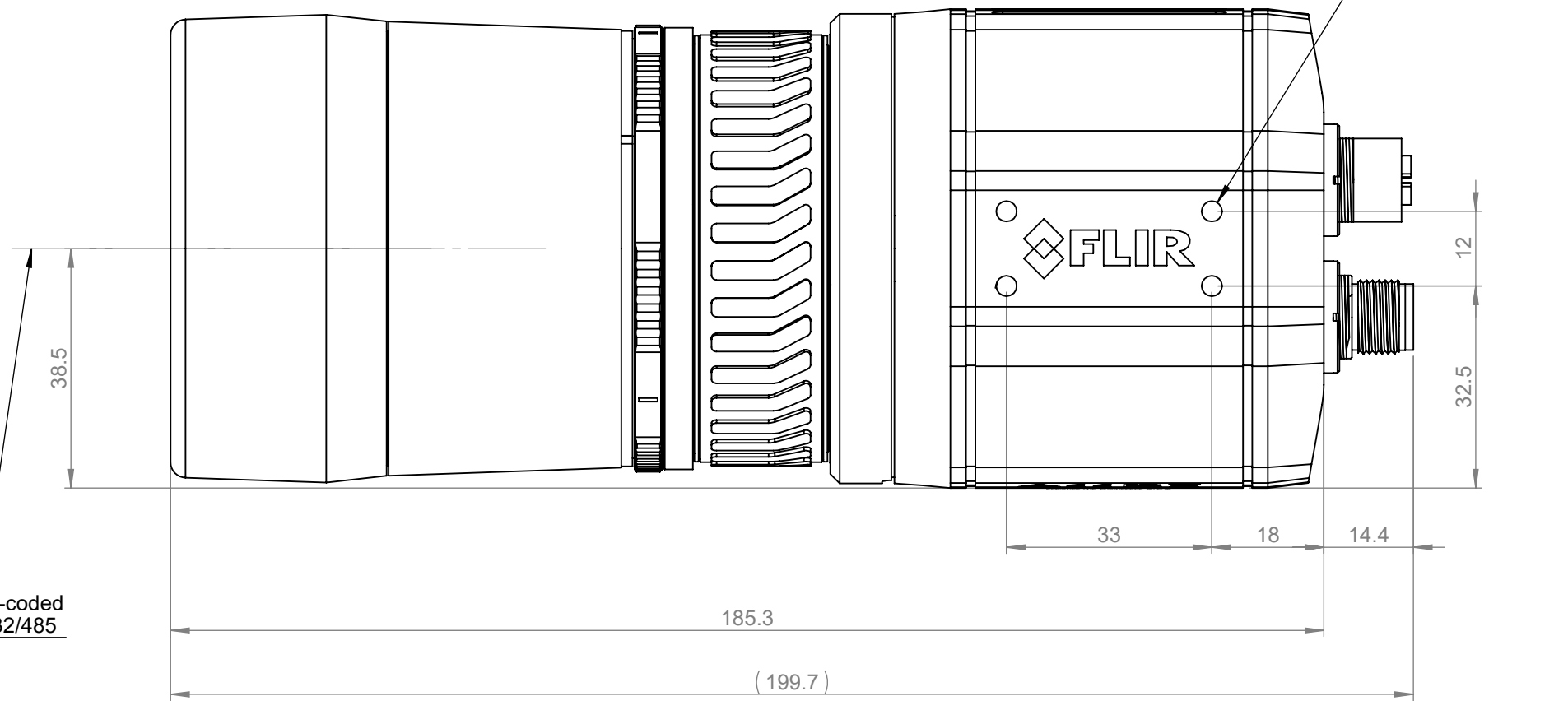
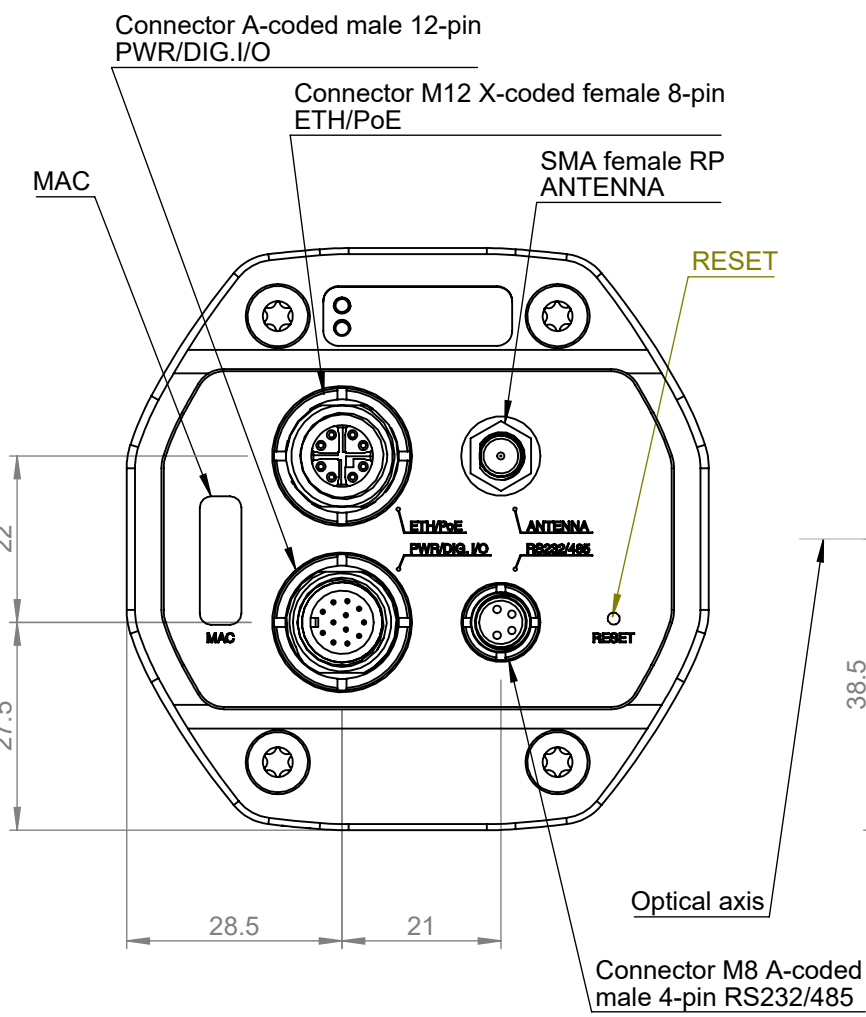
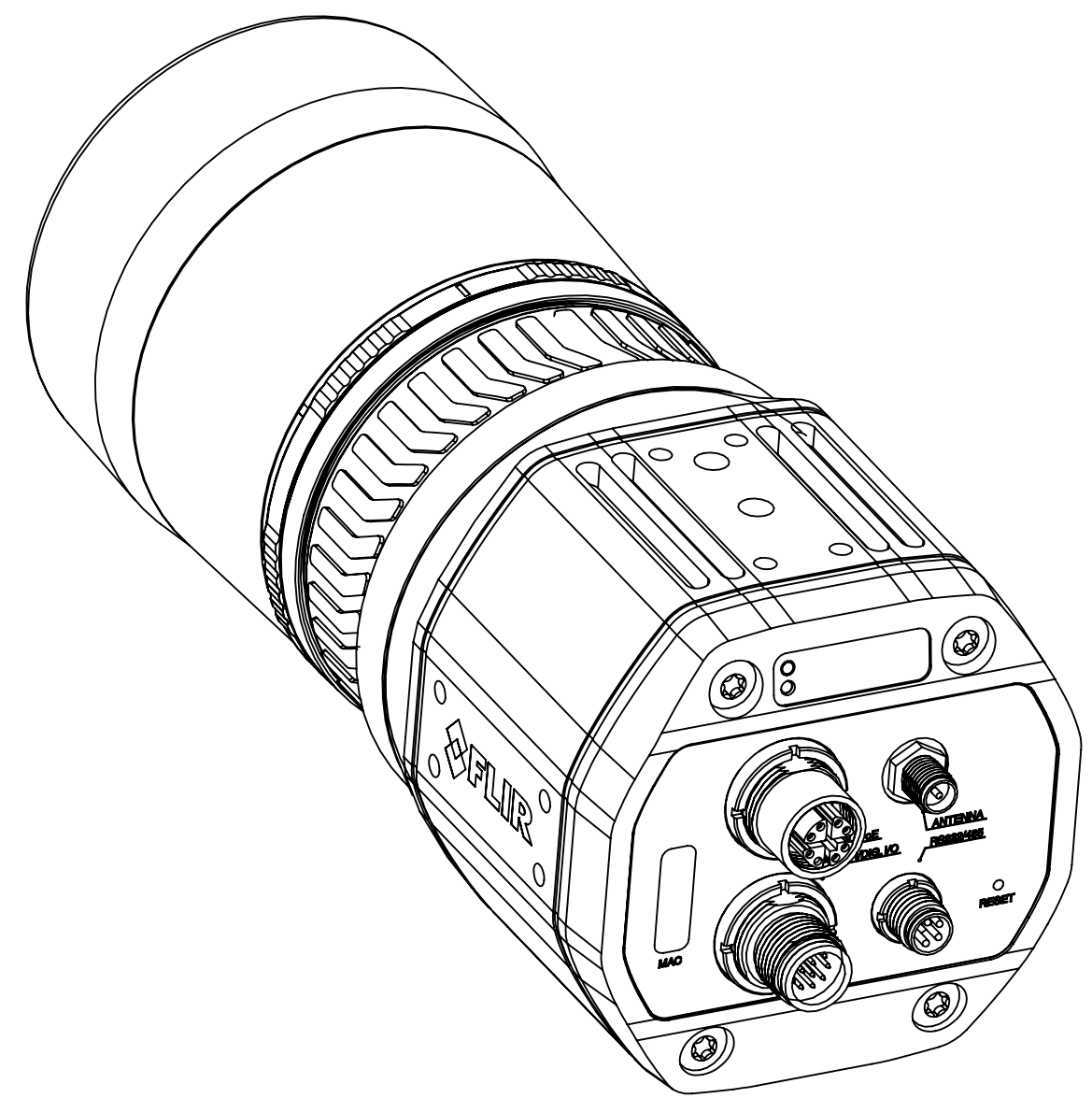
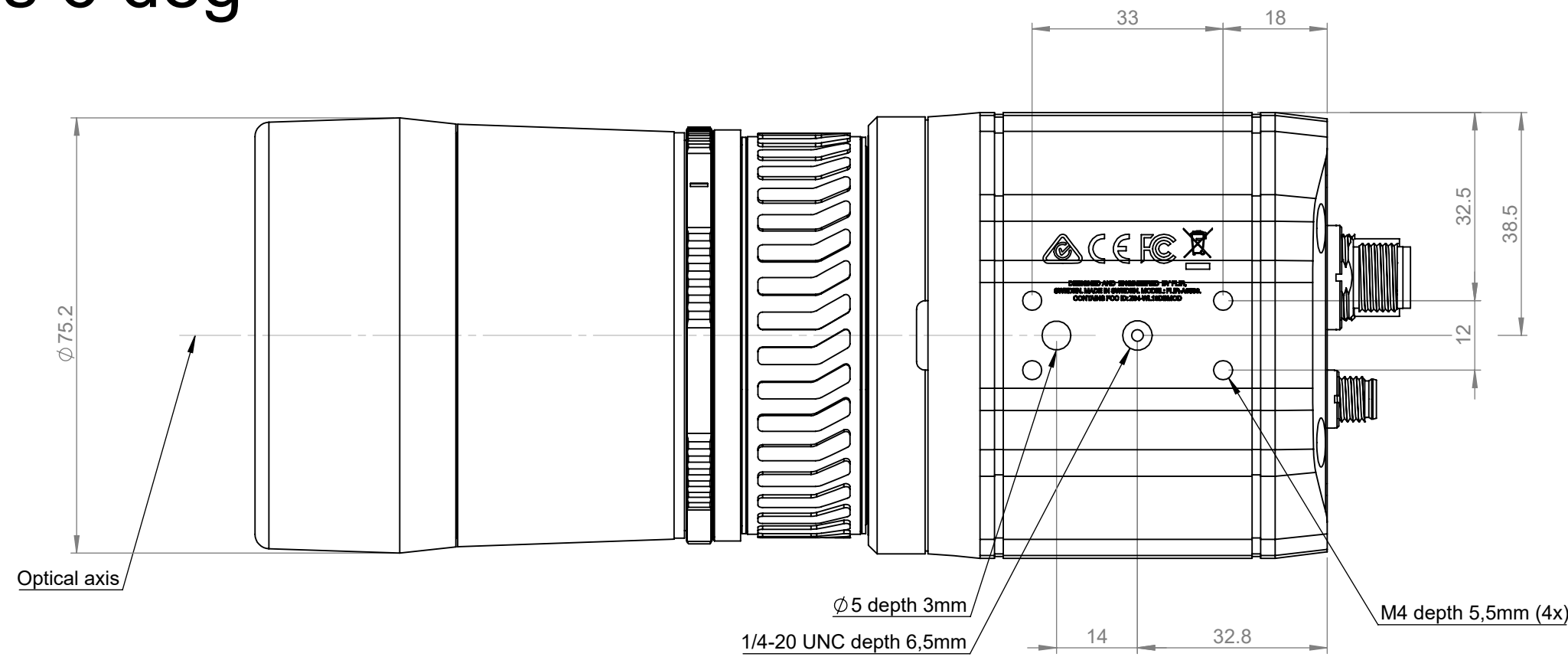
Modified 2020-01-10 Check - Drawn by R&D Instruments

Denomination Basic dimension Axxx/GF7xa

Size	A2		Sheet 2(3)
Scale	1:1		
Denomination	T130771	Rev	A

© 2016 FLIR Systems, Inc. All rights reserved worldwide. No part of this drawing may be reproduced, stored in a retrieval system, or transmitted in any form, or by any means, electronic, mechanical, photocopying, recording, or otherwise, without the prior written permission of FLIR Systems, Inc. Specifications are subject to change without notice. Dimensions are based on nominal values. Products may be subject to regional market considerations. License procedures may apply. Product may be subject to US Export Regulations. Please refer to exportquestions@flir.com with any questions. Diversion contrary to US law is prohibited.

Incl. IR Lens 6 deg



FLIR-Partner: ITEMA GmbH
 Tel. 03461-502510
 06217 Merseburg, Schulstrasse 2
info@itema.de www.itema.de
www.flir-infrarot.de

Basic dimensions for cameras with focal length:
 f= 70mm

Modified 2020-01-10	Check -	Drawn by R&D Instruments	
Denomination			
Basic dimension Axxx/GF7xa			Size A2 Scale 1:1 Sheet 3(3)
Drawing No. T130771			Rev A

© 2016, FLIR Systems, Inc. All rights reserved worldwide. No part of this drawing may be reproduced, stored in a retrieval system, or transmitted in any form, or by any means, electronic, mechanical, photocopying, recording, or otherwise, without written permission from FLIR Systems, Inc. Specifications subject to change without notice. Dimensions are in millimeters unless otherwise specified. Dimensions are based on nominal values. Products may be subject to regional market considerations. License procedures may apply. Product may be subject to US Export Regulations. Please refer to exportquestions@flir.com with any questions. Diversion contrary to US law is prohibited.